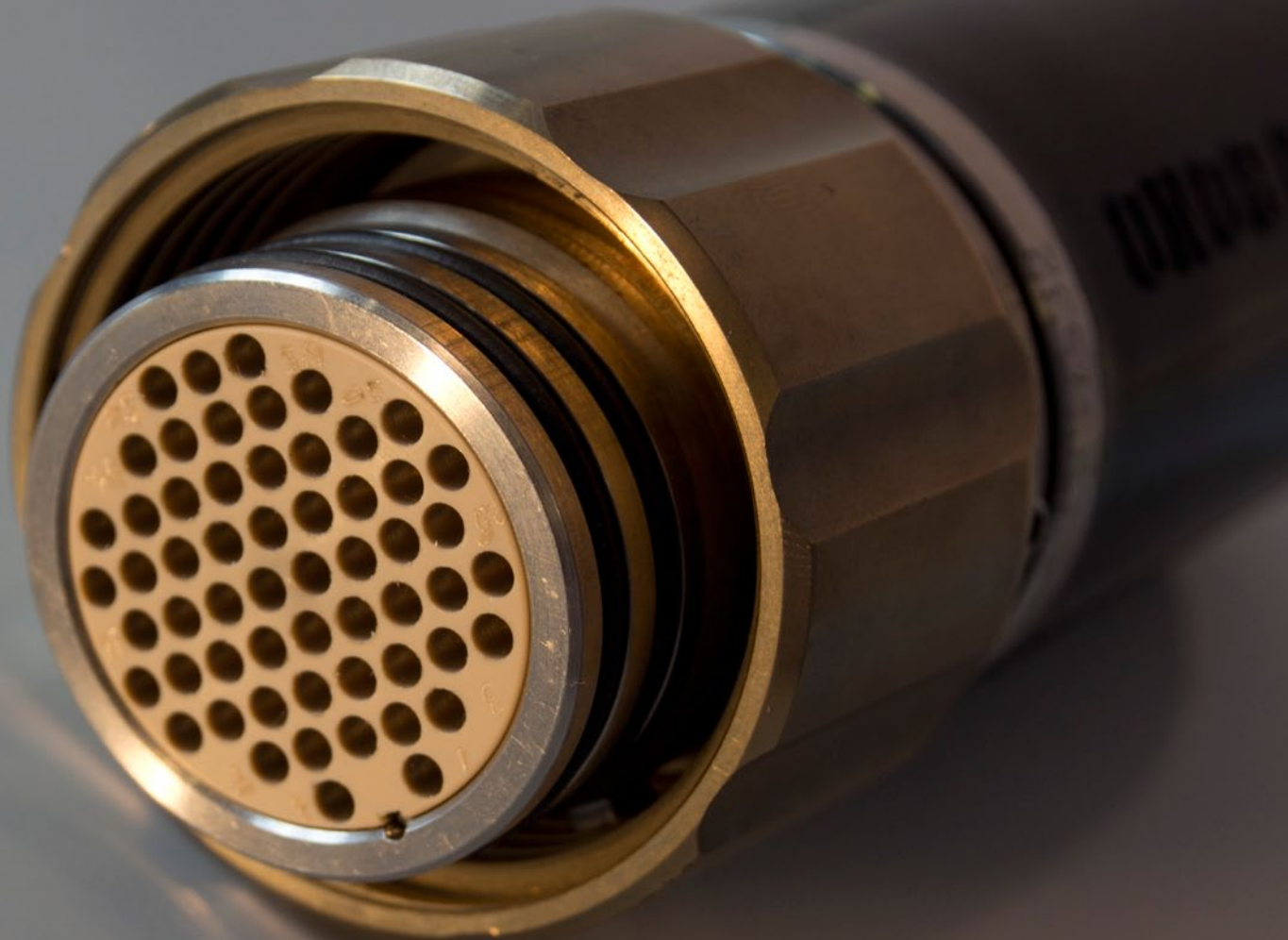


Hydro Bond Engineering Ltd

## Underwater Mateable Electrical Connectors: Rubber Keyed



# Underwater Mateable Electrical Connectors

## Rubber Keyed HRS (Hydro Bond Rubber Sealing)

Hydro Bond Engineering Ltd offer rubber keyed underwater mateable electrical connectors from its extensive, high integrity range of subsea connectors.

Our in house engineered and developed electrical technology is at the forefront of harsh environment requirements. Our products have been extensively tested both internally and externally and are field proven on major local, national and international projects.

Our Electrical Engineers and Technicians are fully trained and certified on our equipment by City & Guilds.



## Features

- Underwater Mateable
- Proven Shock Tested design
- Depth rated to 2,440 MSW
- Fully open face pressure sealed
- Metal Shell Construction
- Available in 5 shell sizes
- Bulkhead Mount and Panel Mount Designs available as standard
- Mounting O – Ring face seals and optional Barrel seals available as standard
- Pin Densities from 1 to 70 ways
- Voltage ratings up to 3,300 Volts RMS
- Current ratings up to 750 Amps
- Standard and Reverse gender configurations available
- Available in 316 Stainless Steel as standard or Titanium, Aluminium Silicon Bronze, Nickel Aluminium Bronze etc. on request
- Non Magnetic versions available
- 0.75 metre conductor tails on all bulkhead connectors as standard with other lengths on request
- Optional Earth Bonding
- Optional Cathodic delamination versions available
- Termination options include fully water blocked, mechanical strain terminations and oil filled options
- Moulding options include Polyurethane and Polyethylene
- Acetal dust caps included on all connectors (additional lanyards on request)



# Underwater Mateable Electrical Connectors

## Rubber Keyed HRS (Hydro Bond Rubber Sealing)

### Benefits

- Cost effective diver mateable solution
- Easy to use
- Fast Delivery lead times
- Wide variety of pin configurations allows cost effective system design
- Standard and reverse gender configurations allow for safe system design
- Wide variety of metal options allows for best corrosion resistant design
- Extensive track record

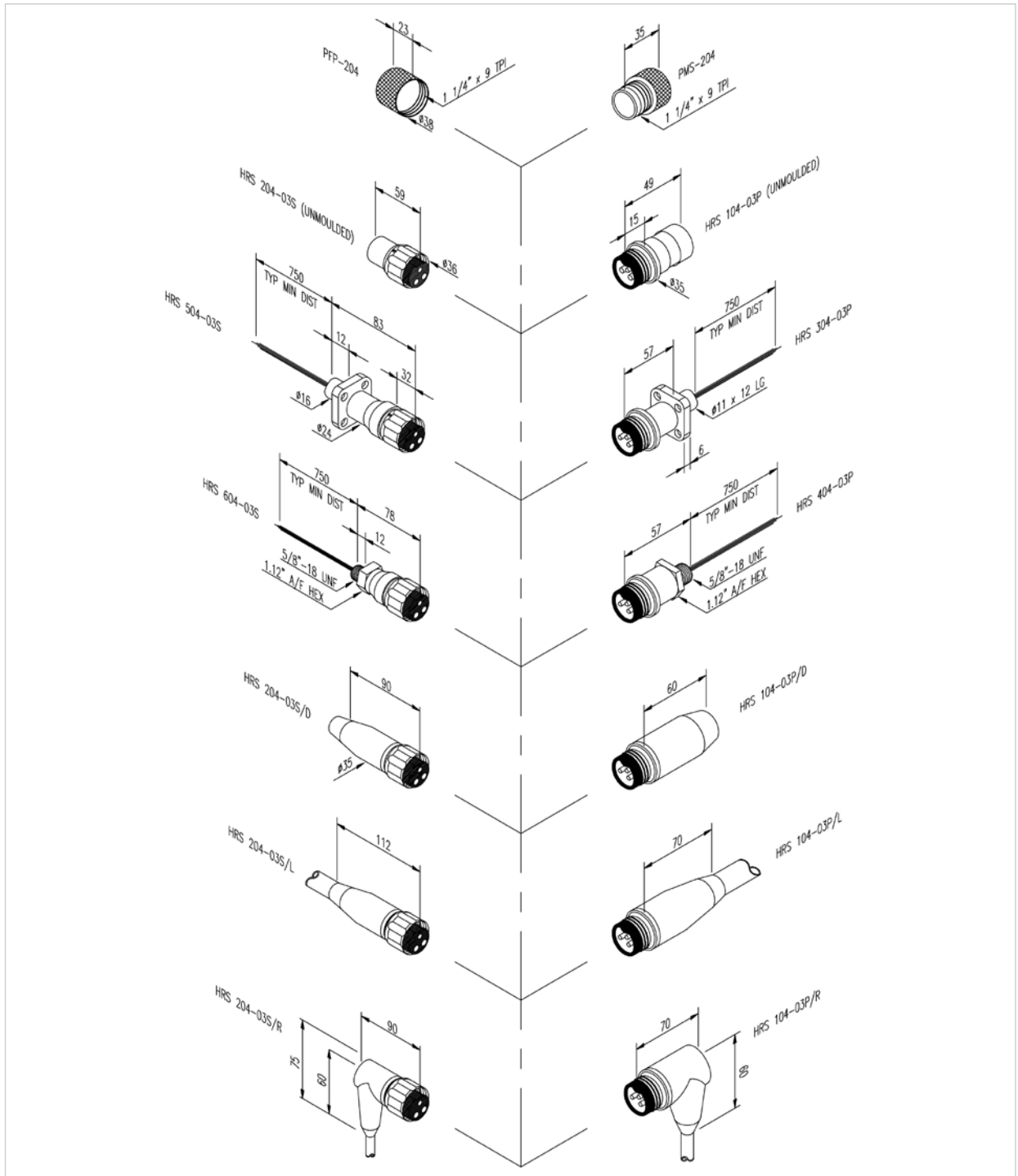


### Specifications

The following pages feature a range of HRS (Hydro Bond Rubber Sealing) Underwater Mateable Electrical Connectors that have been designed, manufactured and field tested. The following charts feature a range of pin (face view) configurations, together with electrical, environmental and standard material specifications.

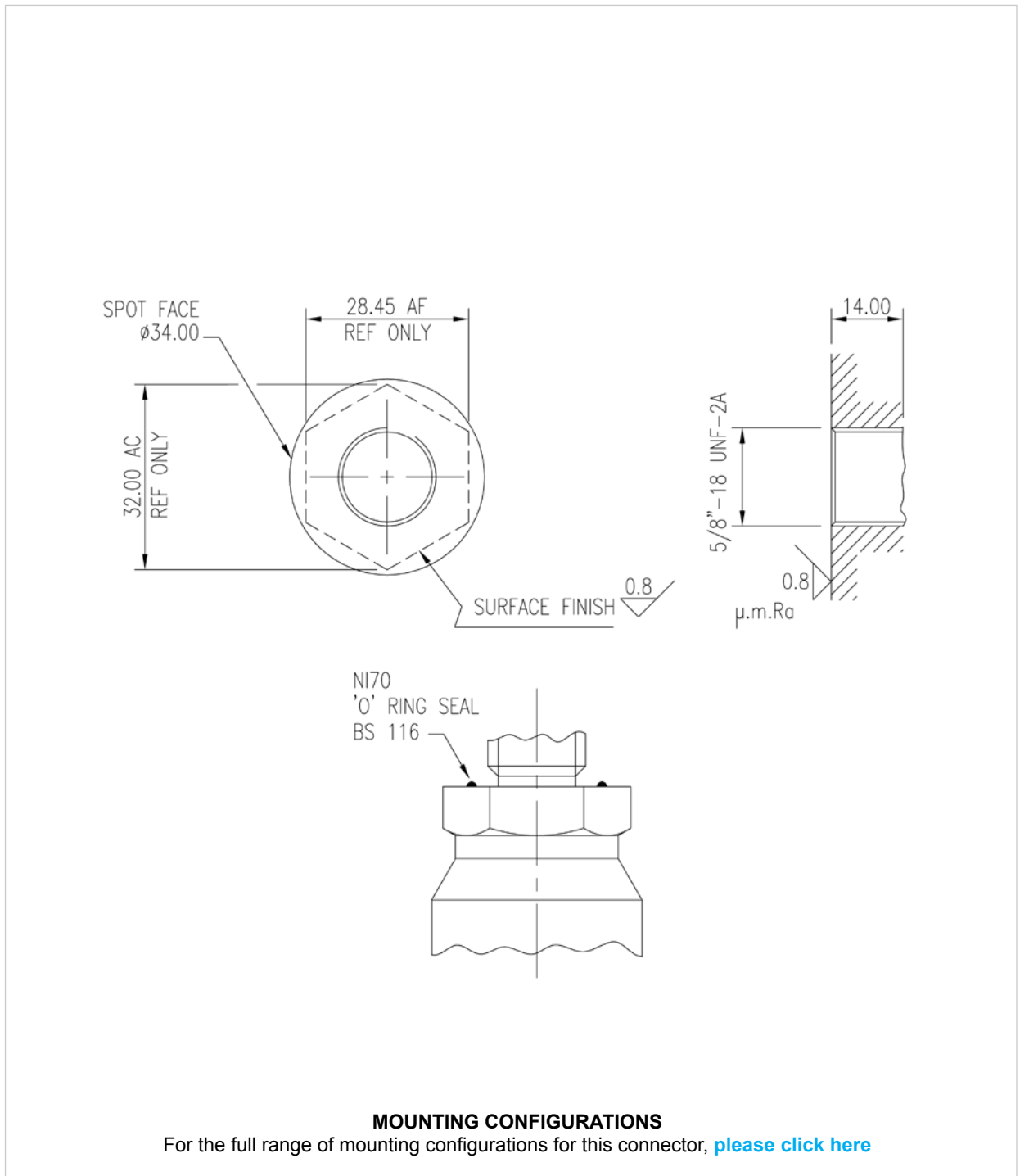
# Underwater Mateable Electrical Connectors

## Rubber Keyed HRS (Hydro Bond Rubber Sealing) : Shell Size 4 / Connector Details



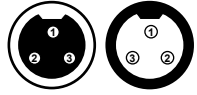
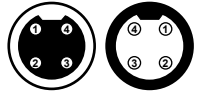
# Underwater Mateable Electrical Connectors

## Rubber Keyed HRS (Hydro Bond Rubber Sealing) : Shell Size 4 / Mounting Details



# Underwater Mateable Electrical Connectors

## Rubber Keyed HRS (Hydro Bond Rubber Sealing) : Shell Size 4 / Specifications

Electrical and Environmental	Standard Material Specification	Face Views
Pin Current Rating: 1 way 10 A, 2 way 25 A Pin Voltage Rating: 2,000 V rms Contact to Contact IR: >1,000 MOhms @ 1,000 V dc Contact to Body IR: >1,000 MOhms @ 1,000 V dc Mated Depth Rating: 2,440 MSW Temperature Rating: -20 ° C to +60 ° C Conductor Tail Size: 18 AWG / 14 AWG Solder Bucket Size: 1 X 2.5 mm dia, 2 X 3.0 mm dia	Body: 316 Stainless Steel Fix Ring: Aluminium Silicon Bronze Back Shell: N/A Contact Pins: CZ121/Au Contact Sockets: CZ121/Au Insert Material: Neoprene Conductor Tails: Spec 44 X 0.75 m O – Rings: NI70	Socket      Pin  <b>Ref: HRS 04-03</b>
Pin Current Rating: 8 AMPS Pin Voltage Rating: 2,000 V rms Contact to Contact IR: >1,000 MOhms @ 1,000 V dc Contact to Body IR: >1,000 MOhms @ 1,000 V dc Mated Depth Rating: 2,440 MSW Temperature Rating: -20 ° C to +60 ° C Conductor Tail Size: 18 AWG Solder Bucket Size: 2.5 mm dia	Body: 316 Stainless Steel Fix Ring: Aluminium Silicon Bronze Back Shell: N/A Contact Pins: CZ121/Au Contact Sockets: CZ121/Au Insert Material: Neoprene Conductor Tails: Spec 44 X 0.75 m O – Rings: NI70	Socket      Pin  <b>Ref: HRS 04-04</b>

### Custom Product Design

Not found what you are looking for ?

Our in house engineers design, develop, manufacture and test new products to customer specifications.

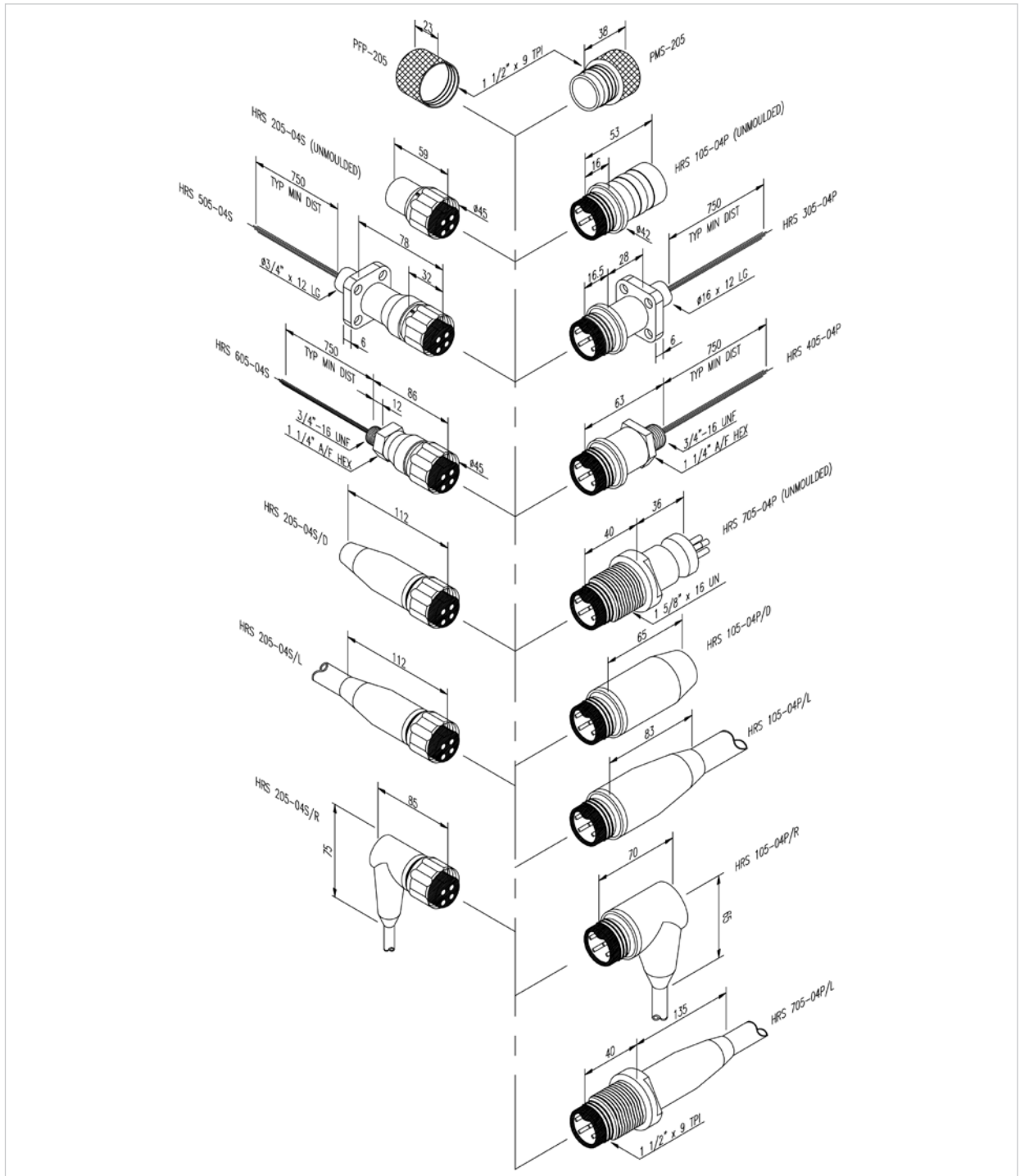


Please view the following pages for the next Shell Size.

# Underwater Mateable Electrical Connectors

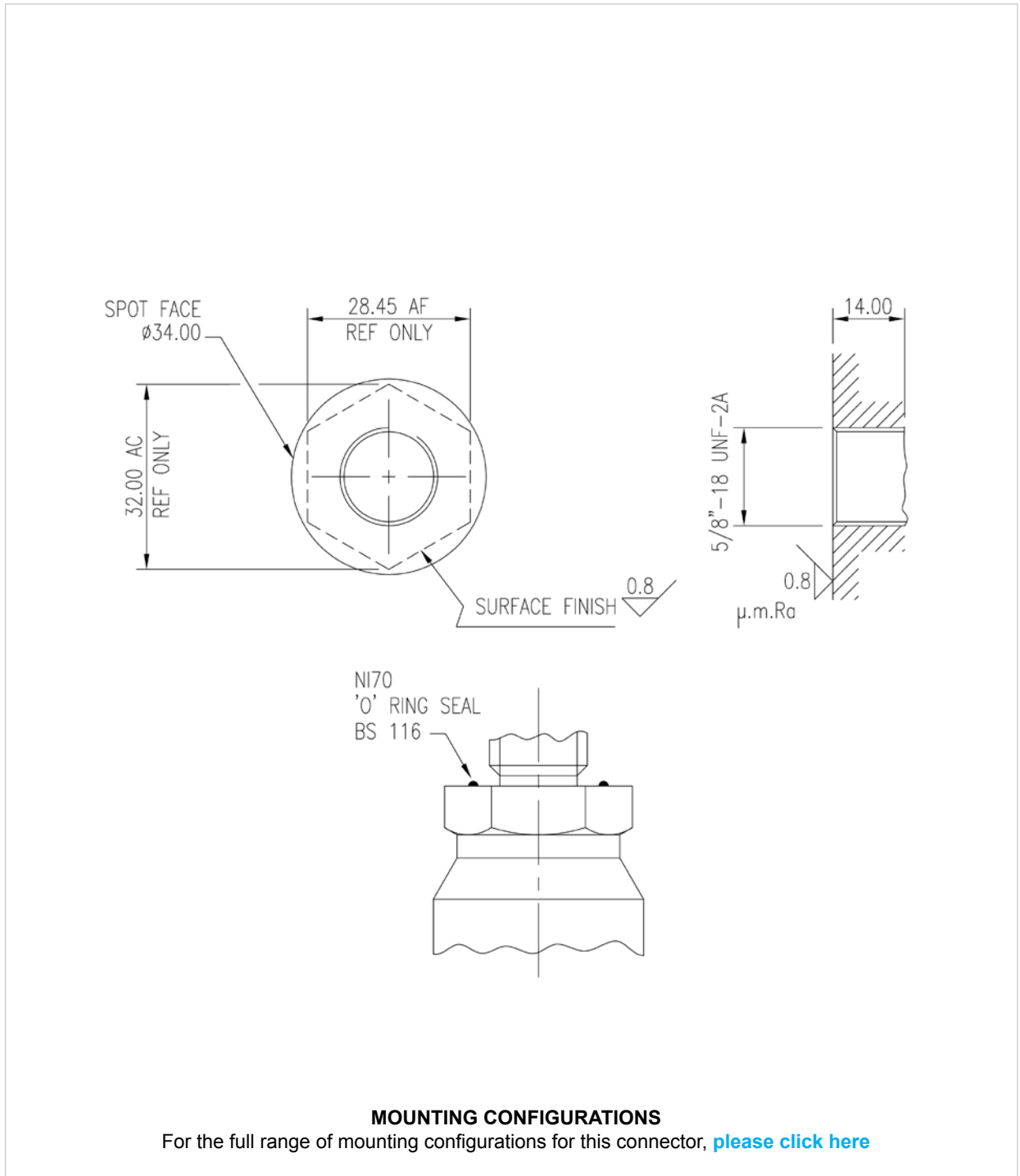
## Rubber Keyed

## HRS (Hydro Bond Rubber Sealing) : Shell Size 5 / Connector Details



# Underwater Mateable Electrical Connectors

## Rubber Keyed HRS (Hydro Bond Rubber Sealing) : Shell Size 5 / Mounting Details





# Underwater Mateable Electrical Connectors

## Rubber Keyed HRS (Hydro Bond Rubber Sealing) : Shell Size 5 / Specifications

Electrical and Environmental	Standard Material Specification	Face Views
Pin Current Rating: 16 AMPS Pin Voltage Rating: 2,000 V rms Contact to Contact IR: >1,000 MOhms @ 1,000 V dc Contact to Body IR: >1,000 MOhms @ 1,000 V dc Mated Depth Rating: 2,440 MSW Temperature Rating: -20 ° C to +60 ° C Conductor Tail Size: 16 AWG Solder Bucket Size: 3.0 mm dia	Body: 316 Stainless Steel Fix Ring: Aluminium Silicon Bronze Back Shell: N/A Contact Pins: CZ121/Au Contact Sockets: CZ121/Au Insert Material: Neoprene Conductor Tails: Spec 44 X 0.75 m O – Rings: NI70	Socket Pin  <b>Ref: HRS 05-04</b>
Pin Current Rating: 16 AMPS Pin Voltage Rating: 2,000 V rms Contact to Contact IR: >1,000 MOhms @ 1,000 V dc Contact to Body IR: >1,000 MOhms @ 1,000 V dc Mated Depth Rating: 2,440 MSW Temperature Rating: -20 ° C to +60 ° C Conductor Tail Size: 16 AWG Solder Bucket Size: 3.0 mm dia	Body: 316 Stainless Steel Fix Ring: Aluminium Silicon Bronze Back Shell: N/A Contact Pins: CZ121/Au Contact Sockets: CZ121/Au Insert Material: Neoprene Conductor Tails: Spec 44 X 0.75 m O – Rings: NI70	Socket Pin  <b>Ref: HRS 05-04 DK</b>
Pin Current Rating: 8 AMPS Pin Voltage Rating: 2,000 V rms Contact to Contact IR: >1,000 MOhms @ 1,000 V dc Contact to Body IR: >1,000 MOhms @ 1,000 V dc Mated Depth Rating: 2,440 MSW Temperature Rating: -20 ° C to +60 ° C Conductor Tail Size: 18 AWG Solder Bucket Size: 2.5 mm dia	Body: 316 Stainless Steel Fix Ring: Aluminium Silicon Bronze Back Shell: N/A Contact Pins: CZ121/Au Contact Sockets: CZ121/Au Insert Material: Neoprene Conductor Tails: Spec 44 X 0.75 m O – Rings: NI70	Socket Pin  <b>Ref: HRS 05-06</b>
Pin Current Rating: 6 AMPS Pin Voltage Rating: 2,000 V rms Contact to Contact IR: >1,000 MOhms @ 1,000 V dc Contact to Body IR: >1,000 MOhms @ 1,000 V dc Mated Depth Rating: 2,440 MSW Temperature Rating: -20 ° C to +60 ° C Conductor Tail Size: 18 AWG Solder Bucket Size: 2.5 mm dia	Body: 316 Stainless Steel Fix Ring: Aluminium Silicon Bronze Back Shell: N/A Contact Pins: CZ121/Au Contact Sockets: CZ121/Au Insert Material: Neoprene Conductor Tails: Spec 44 X 0.75 m O – Rings: NI70	Socket Pin  <b>Ref: HRS 05-08</b>
Pin Current Rating: 5 AMPS Pin Voltage Rating: 2,000 V rms Contact to Contact IR: >1,000 MOhms @ 1,000 V dc Contact to Body IR: >1,000 MOhms @ 1,000 V dc Mated Depth Rating: 2,440 MSW Temperature Rating: -20 ° C to +60 ° C Conductor Tail Size: 18 AWG Solder Bucket Size: 2.5 mm dia	Body: 316 Stainless Steel Fix Ring: Aluminium Silicon Bronze Back Shell: N/A Contact Pins: CZ121/Au Contact Sockets: CZ121/Au Insert Material: Neoprene Conductor Tails: Spec 44 X 0.75 m O – Rings: NI70	Socket Pin  <b>Ref: HRS 05-12</b>

### Custom Product Design

Not found what you are looking for ?

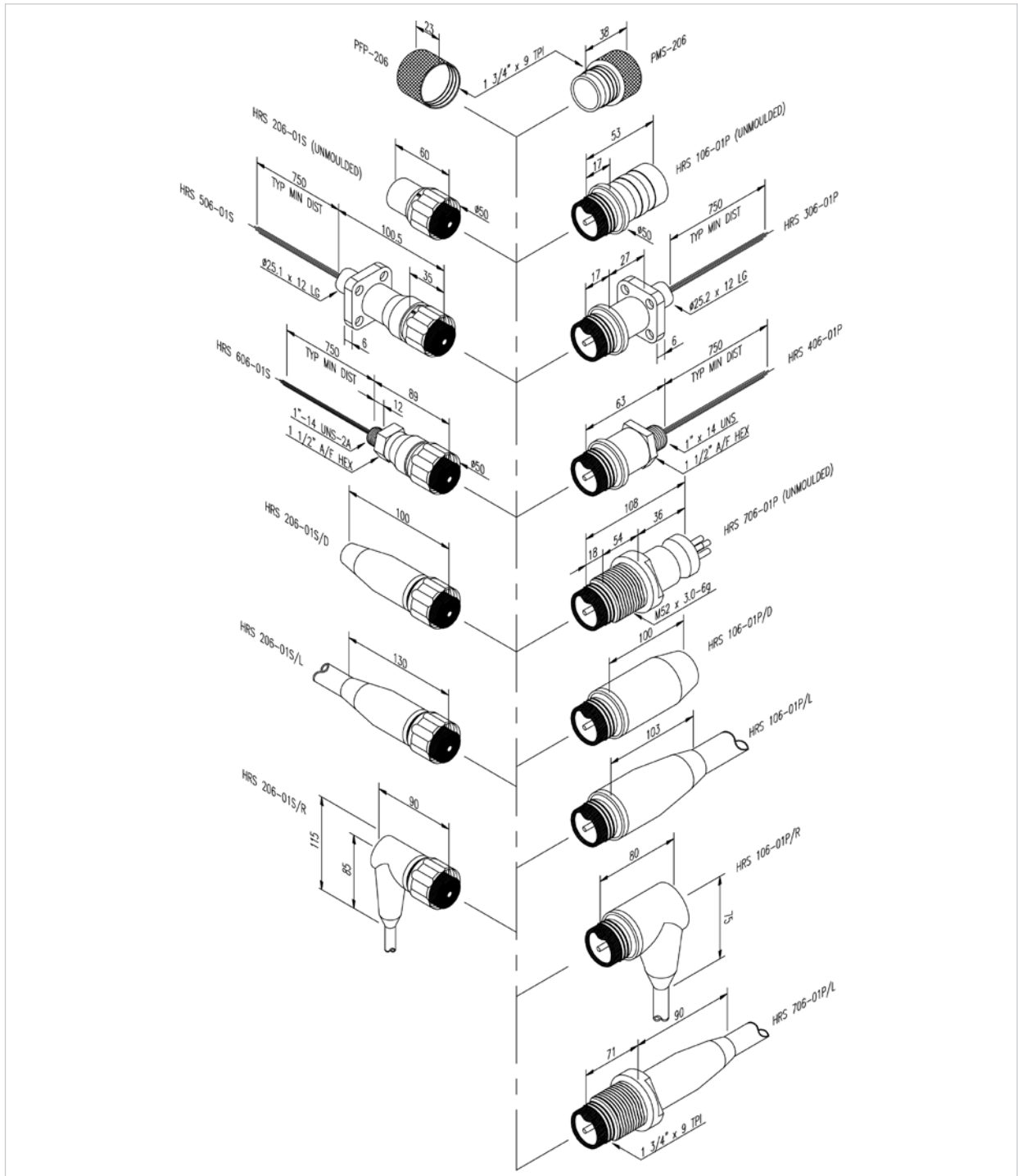
Our in house engineers design, develop, manufacture and test new products to customer specifications.



Please view the following pages for the next Shell Size.

# Underwater Mateable Electrical Connectors

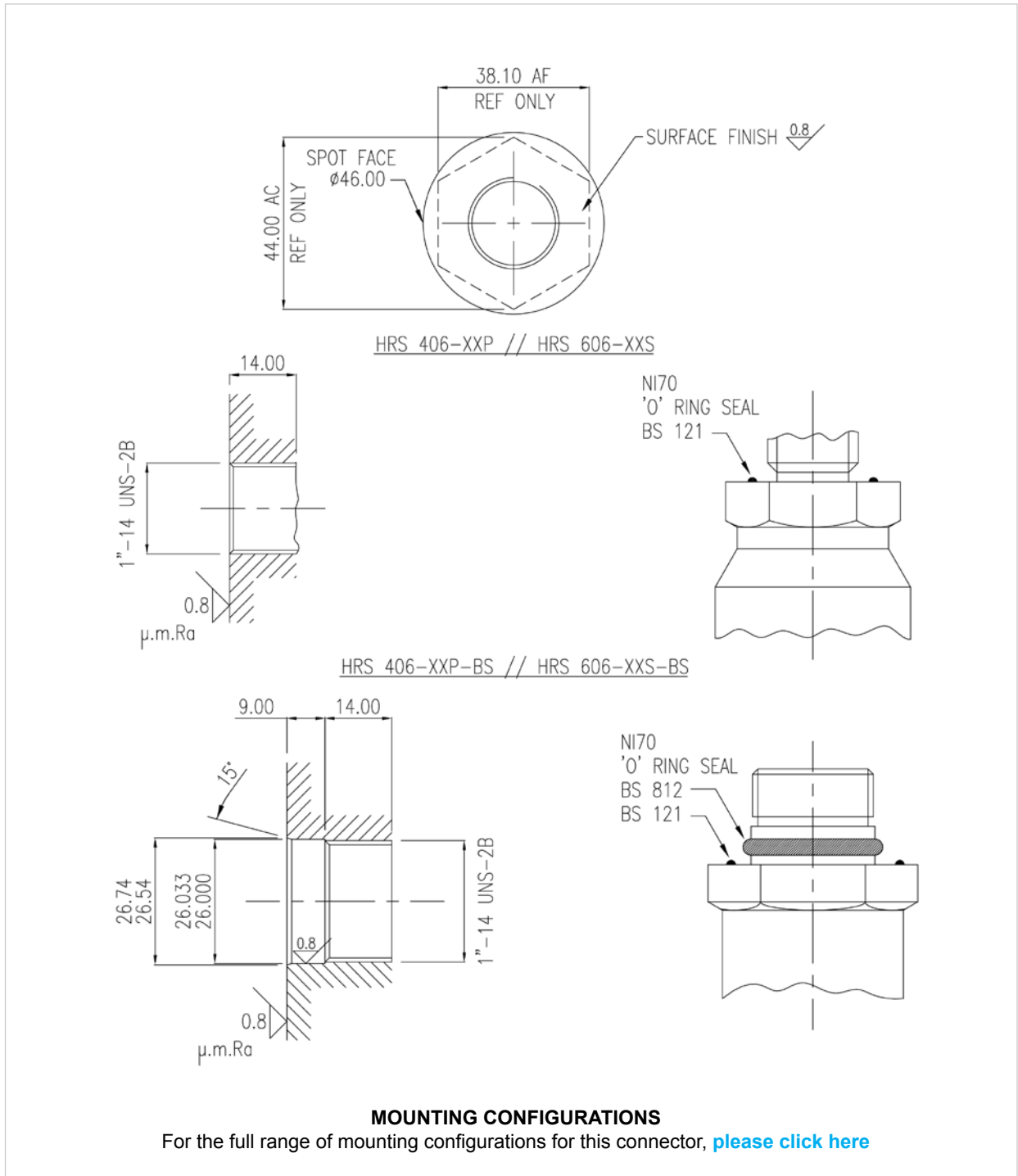
## Rubber Keyed HRS (Hydro Bond Rubber Sealing) : Shell Size 6 / Connector Details



# Underwater Mateable Electrical Connectors

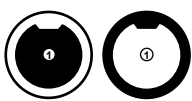
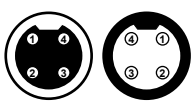
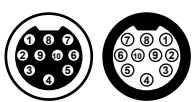
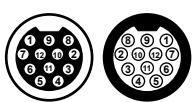
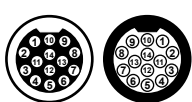
## Rubber Keyed

## HRS (Hydro Bond Rubber Sealing) : Shell Size 6 / Mounting Details



# Underwater Mateable Electrical Connectors

## Rubber Keyed HRS (Hydro Bond Rubber Sealing) : Shell Size 6 / Specifications

Electrical and Environmental	Standard Material Specification	Face Views
Pin Current Rating: 33 AMPS (>33 Amps possible) Pin Voltage Rating: 6,000 V rms Contact to Contact IR: >1,000 MOhms @ 1,000 V dc Contact to Body IR: >1,000 MOhms @ 1,000 V dc Mated Depth Rating: 2,440 MSW Temperature Rating: -20 ° C to +60 ° C Conductor Tail Size: 6.0 sq. mm Solder Bucket Size: 5.5 mm dia	Body: 316 Stainless Steel Fix Ring: Aluminium Silicon Bronze Back Shell: N/A Contact Pins: CZ121/Au Contact Sockets: CZ121/Au Insert Material: Neoprene Conductor Tails: Polyrad X 0.75 m O – Rings: NI70	Socket Pin  <b>Ref: HRS 06-01</b>
Pin Current Rating: 16 AMPS Pin Voltage Rating: 2,000 V rms Contact to Contact IR: >1,000 MOhms @ 1,000 V dc Contact to Body IR: >1,000 MOhms @ 1,000 V dc Mated Depth Rating: 2,440 MSW Temperature Rating: -20 ° C to +60 ° C Conductor Tail Size: 2.5 sq. mm Solder Bucket Size: 3.0 mm dia	Body: 316 Stainless Steel Fix Ring: Aluminium Silicon Bronze Back Shell: N/A Contact Pins: CZ121/Au Contact Sockets: CZ121/Au Insert Material: Neoprene Conductor Tails: Radox 125, 0.75 m O – Rings: NI70	Socket Pin  <b>Ref: HRS 06-04</b>
Pin Current Rating: 5 AMPS Pin Voltage Rating: 2,000 V rms Contact to Contact IR: >1,000 MOhms @ 1,000 V dc Contact to Body IR: >1,000 MOhms @ 1,000 V dc Mated Depth Rating: 2,440 MSW Temperature Rating: -20 ° C to +60 ° C Conductor Tail Size: 18 AWG Solder Bucket Size: 2.5 mm dia	Body: 316 Stainless Steel Fix Ring: Aluminium Silicon Bronze Back Shell: N/A Contact Pins: CZ121/Au Contact Sockets: CZ121/Au Insert Material: Neoprene Conductor Tails: Spec 44 X 0.75 m O – Rings: NI70	Socket Pin  <b>Ref: HRS 06-10</b>
Pin Current Rating: 5 AMPS Pin Voltage Rating: 2,000 V rms Contact to Contact IR: >1,000 MOhms @ 1,000 V dc Contact to Body IR: >1,000 MOhms @ 1,000 V dc Mated Depth Rating: 2,440 MSW Temperature Rating: -20 ° C to +60 ° C Conductor Tail Size: 18 AWG Solder Bucket Size: 2.5 mm dia	Body: 316 Stainless Steel Fix Ring: Aluminium Silicon Bronze Back Shell: N/A Contact Pins: CZ121/Au Contact Sockets: CZ121/Au Insert Material: Neoprene Conductor Tails: Spec 44 X 0.75 m O – Rings: NI70	Socket Pin  <b>Ref: HRS 06-12</b>
Pin Current Rating: 5 AMPS Pin Voltage Rating: 2,000 V rms Contact to Contact IR: >1,000 MOhms @ 1,000 V dc Contact to Body IR: >1,000 MOhms @ 1,000 V dc Mated Depth Rating: 2,440 MSW Temperature Rating: -20 ° C to +60 ° C Conductor Tail Size: 18 AWG Solder Bucket Size: 2.5 mm dia	Body: 316 Stainless Steel Fix Ring: Aluminium Silicon Bronze Back Shell: N/A Contact Pins: CZ121/Au Contact Sockets: CZ121/Au Insert Material: Neoprene Conductor Tails: Spec 44 X 0.75 m O – Rings: NI70	Socket Pin  <b>Ref: HRS 06-14</b>

### Custom Product Design

Not found what you are looking for ?

Our in house engineers design, develop, manufacture and test new products to customer specifications.

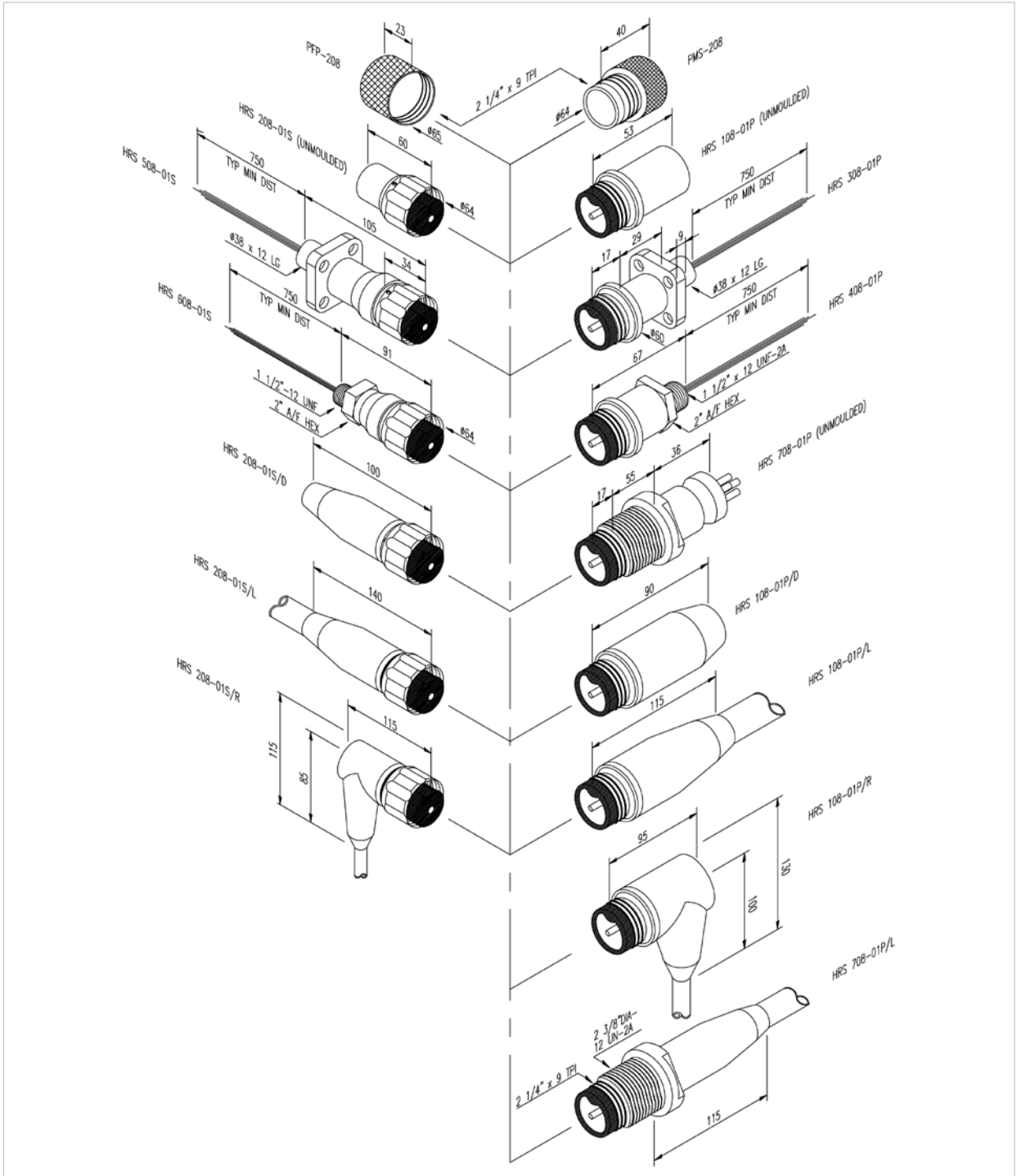


Please view the following pages for the next Shell Size.

# Underwater Mateable Electrical Connectors

## Rubber Keyed

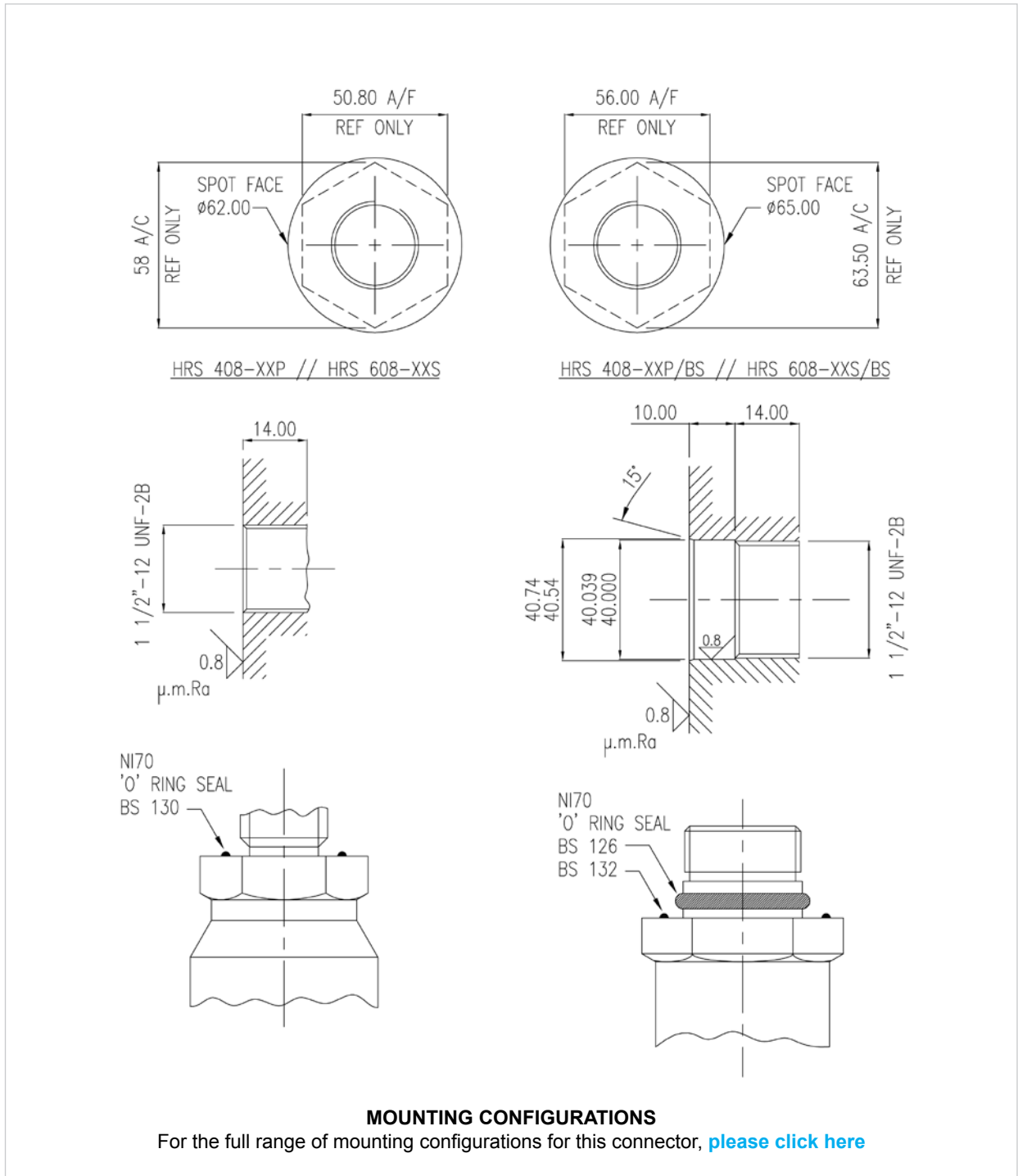
## HRS (Hydro Bond Rubber Sealing) : Shell Size 8 / Connector Details



# Underwater Mateable Electrical Connectors

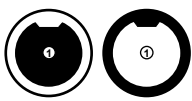
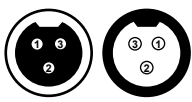
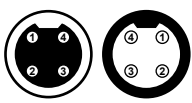
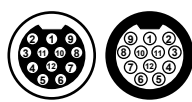
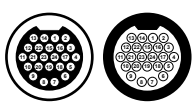
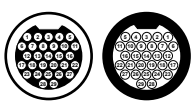
## Rubber Keyed

## HRS (Hydro Bond Rubber Sealing) : Shell Size 8 / Mounting Details



# Underwater Mateable Electrical Connectors

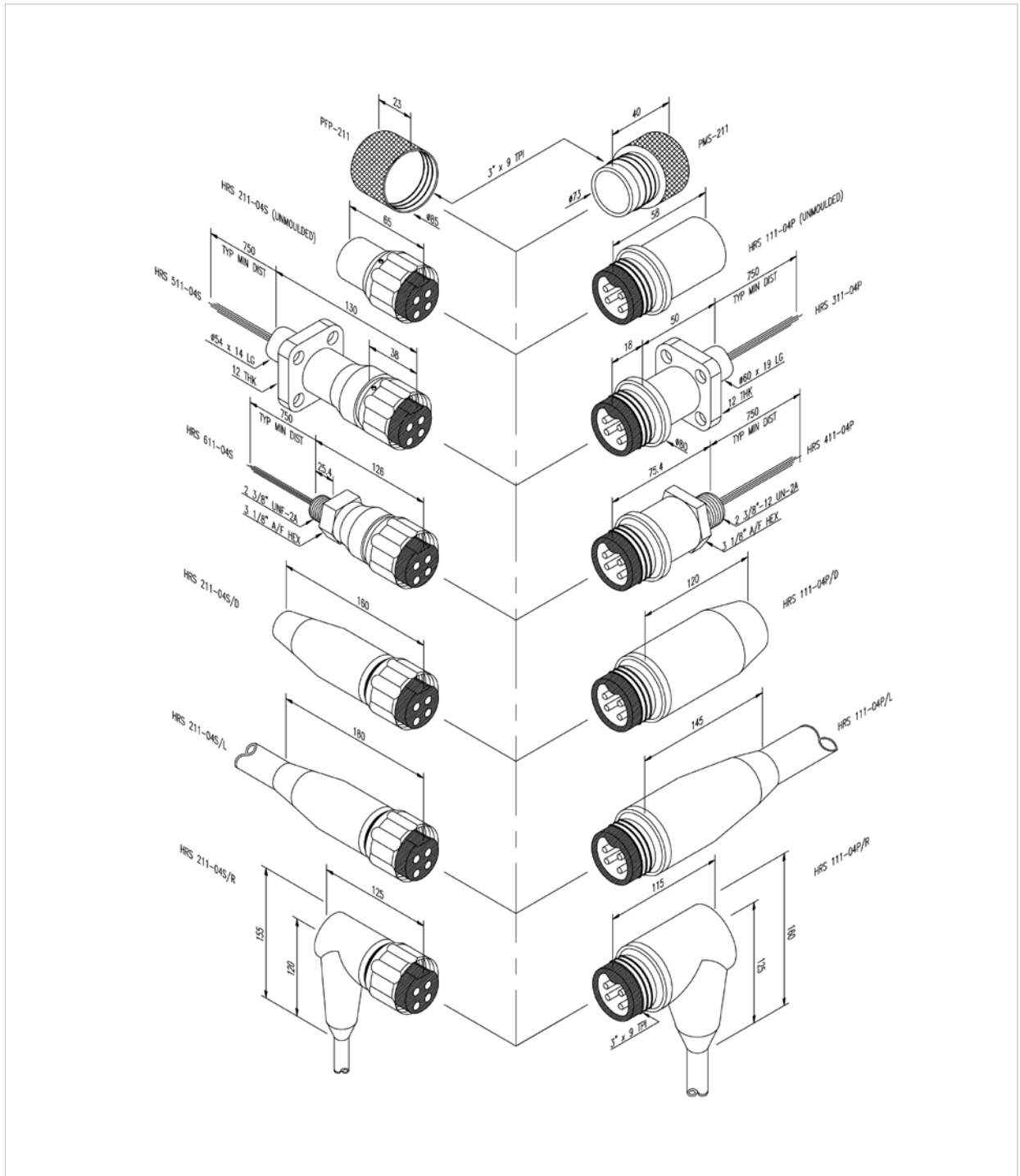
## Rubber Keyed HRS (Hydro Bond Rubber Sealing) : Shell Size 8 / Specifications

Electrical and Environmental	Standard Material Specification	Face Views
Pin Current Rating: 400 Amps Pin Voltage Rating: 2,000 V rms Contact to Contact IR: >1,000 MOhms @ 1,000 V dc Contact to Body IR: >1,000 MOhms @ 1,000 V dc Mated Depth Rating: 2,440 MSW Temperature Rating: -20 ° C to +60 ° C Conductor Tail Size: High Voltage Cable Conductor Crimp Size: 185 sq. mm	Body: 316 Stainless Steel Fix Ring: Aluminium Silicon Bronze Back Shell: N/A Contact Pins: CZ121/Au Contact Sockets: CZ121/Au Insert Material: Neoprene Conductor Tails: N/A O – Rings: NI70	Socket Pin  <b>Ref: HRS 08-01</b>
Pin Current Rating: 95 AMPS Pin Voltage Rating: 3,300 V rms Contact to Contact IR: >1,000 MOhms @ 1,000 V dc Contact to Body IR: >1,000 MOhms @ 1,000 V dc Mated Depth Rating: 2,440 MSW Temperature Rating: -20 ° C to +60 ° C Conductor Tail Size: 25 sq. mm Solder Bucket Size: 5.5 mm dia	Body: 316 Stainless Steel Fix Ring: Aluminium Silicon Bronze Back Shell: N/A Contact Pins: CZ121/Au Contact Sockets: CZ121/Au Insert Material: Neoprene Conductor Tails: Radox 125 O – Rings: NI70	Socket Pin  <b>Ref: HRS 08-03</b>
Pin Current Rating: 80 AMPS Pin Voltage Rating: 2,000 V rms Contact to Contact IR: >1,000 MOhms @ 1,000 V dc Contact to Body IR: >1,000 MOhms @ 1,000 V dc Mated Depth Rating: 2,440 MSW Temperature Rating: -20 ° C to +60 ° C Conductor Tail Size: 25 sq. mm Solder Bucket Size: 8.0 mm dia	Body: 316 Stainless Steel Fix Ring: Aluminium Silicon Bronze Back Shell: N/A Contact Pins: CZ121/Au Contact Sockets: CZ121/Au Insert Material: Neoprene Conductor Tails: Polyrad X 0.75 m O – Rings: NI70	Socket Pin  <b>Ref: HRS 08-04</b>
Pin Current Rating: 12 AMPS Pin Voltage Rating: 2,000 V rms Contact to Contact IR: >1,000 MOhms @ 1,000 V dc Contact to Body IR: >1,000 MOhms @ 1,000 V dc Mated Depth Rating: 2,440 MSW Temperature Rating: -20 ° C to +60 ° C Conductor Tail Size: 12 AWG Solder Bucket Size: 3.0 mm dia	Body: 316 Stainless Steel Fix Ring: Aluminium Silicon Bronze Back Shell: N/A Contact Pins: CZ121/Au Contact Sockets: CZ121/Au Insert Material: Neoprene Conductor Tails: Spec 44 X 0.75 m O – Rings: NI70	Socket Pin  <b>Ref: HRS 08-12</b>
Pin Current Rating: 5 AMPS Pin Voltage Rating: 2,000 V rms Contact to Contact IR: >1,000 MOhms @ 1,000 V dc Contact to Body IR: >1,000 MOhms @ 1,000 V dc Mated Depth Rating: 2,440 MSW Temperature Rating: -20 ° C to +60 ° C Conductor Tail Size: 18 AWG Solder Bucket Size: 2.5 mm dia	Body: 316 Stainless Steel Fix Ring: Aluminium Silicon Bronze Back Shell: N/A Contact Pins: CZ121/Au Contact Sockets: CZ121/Au Insert Material: Neoprene Conductor Tails: Spec 44 X 0.75 m O – Rings: NI70	Socket Pin  <b>Ref: HRS 08-24</b>
Pin Current Rating: 4 Amps Pin Voltage Rating: 2,000 V rms Contact to Contact IR: >1,000 MOhms @ 1,000 V dc Contact to Body IR: >1,000 MOhms @ 1,000 V dc Mated Depth Rating: 2,440 MSW Temperature Rating: -20 ° C to +60 ° C Conductor Tail Size: 18 AWG Solder Bucket Size: 2.5 mm dia	Body: 316 Stainless Steel Fix Ring: Aluminium Silicon Bronze Back Shell: N/A Contact Pins: CZ121/Au Contact Sockets: CZ121/Au Insert Material: Neoprene Conductor Tails: Spec 44 X 0.75 m O – Rings: NI70	Socket Pin  <b>Ref: HRS 08-29</b>

Please view the following pages for the next Shell Size.

# Underwater Mateable Electrical Connectors

## Rubber Keyed HRS (Hydro Bond Rubber Sealing) : Shell Size 11 / Connector Details

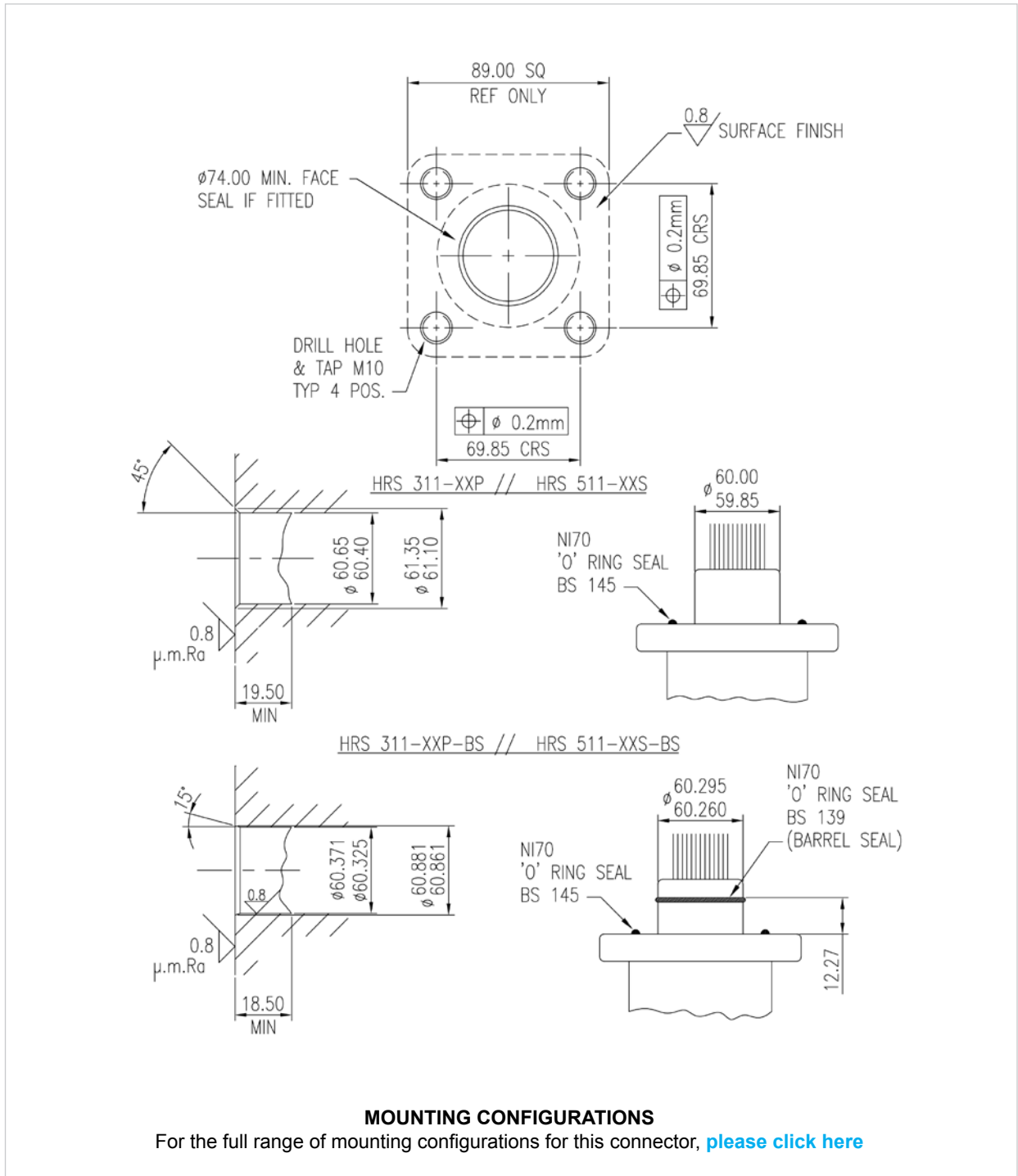




# Underwater Mateable Electrical Connectors

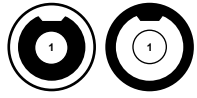
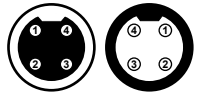
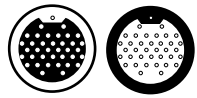
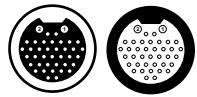
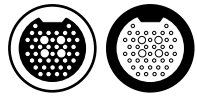
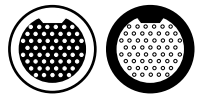
## Rubber Keyed

## HRS (Hydro Bond Rubber Sealing) : Shell Size 11 / Mounting Details



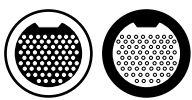
# Underwater Mateable Electrical Connectors

## Rubber Keyed HRS (Hydro Bond Rubber Sealing) : Shell Size 11 / Specifications

Electrical and Environmental	Standard Material Specification	Face Views
Pin Current Rating: <b>750 AMPS</b> Pin Voltage Rating: <b>2,000 V rms</b> Contact to Contact IR: <b>&gt;1,000 MOhms @ 1,000 V dc</b> Contact to Body IR: <b>&gt;1,000 MOhms @ 1,000 V dc</b> Mated Depth Rating: <b>2,440 MSW</b> Temperature Rating: <b>-20 ° C to +60 ° C</b> Conductor Tail Size: <b>Details on Application</b> Solder Bucket Size: <b>27.0 mm dia</b>	Body: <b>316 Stainless Steel</b> Fix Ring: <b>Aluminium Silicon Bronze</b> Back Shell: <b>N/A</b> Contact Pins: <b>CZ121/Au</b> Contact Sockets: <b>CZ121/Au</b> Insert Material: <b>Neoprene</b> Conductor Tails: <b>EPR, CSP, PU BS6195 X 0.75m</b> O – Rings: <b>NI70</b>	Socket      Pin  <b>Ref: HRS 11-01</b>
Pin Current Rating: <b>150 AMPS</b> Pin Voltage Rating: <b>2,000 V rms</b> Contact to Contact IR: <b>&gt;1,000 MOhms @ 1,000 V dc</b> Contact to Body IR: <b>&gt;1,000 MOhms @ 1,000 V dc</b> Mated Depth Rating: <b>2,440 MSW</b> Temperature Rating: <b>-20 ° C to +60 ° C</b> Conductor Tail Size: <b>35 sq. mm</b> Solder Bucket Size: <b>5.75 mm dia</b>	Body: <b>316 Stainless Steel</b> Fix Ring: <b>Aluminium Silicon Bronze</b> Back Shell: <b>N/A</b> Contact Pins: <b>CZ121/Au</b> Contact Sockets: <b>CZ121/Au</b> Insert Material: <b>Neoprene</b> Conductor Tails: <b>Radox 125, 0.75 m</b> O – Rings: <b>NI70</b>	Socket      Pin  <b>Ref: HRS 11-04</b>
Pin Current Rating: <b>4 Amps</b> Pin Voltage Rating: <b>2,000 V rms</b> Contact to Contact IR: <b>&gt;1,000 MOhms @ 1,000 V dc</b> Contact to Body IR: <b>&gt;1,000 MOhms @ 1,000 V dc</b> Mated Depth Rating: <b>2,440 MSW</b> Temperature Rating: <b>-20 ° C to +60 ° C</b> Conductor Tail Size: <b>18 AWG</b> Conductor Crimp Size: <b>2.5 mm dia</b>	Body: <b>316 Stainless Steel</b> Fix Ring: <b>Aluminium Silicon Bronze</b> Back Shell: <b>N/A</b> Contact Pins: <b>CZ121/Au</b> Contact Sockets: <b>CZ121/Au</b> Insert Material: <b>Neoprene</b> Conductor Tails: <b>Spec 44 x 0.75 m</b> O – Rings: <b>NI70</b>	Socket      Pin  <b>Ref: HRS 11-37</b>
Pin Current Rating: <b>2W 80 Amps, 4W15 Amps, 33W 0.5 Amps</b> Pin Voltage Rating: <b>2,000 V rms</b> Contact to Contact IR: <b>&gt;1,000 MOhms @ 1,000 V dc</b> Contact to Body IR: <b>&gt;1,000 MOhms @ 1,000 V dc</b> Mated Depth Rating: <b>2,440 MSW</b> Temperature Rating: <b>-20 ° C to +60 ° C</b> Conductor Tail Size: <b>2x25 sq.mm, 4x14 AWG, 33x18 AWG</b> Solder Bucket Size: <b>2x8.0 mm dia, 37x2.5 mm dia</b>	Body: <b>316 Stainless Steel</b> Fix Ring: <b>Aluminium Silicon Bronze</b> Back Shell: <b>N/A</b> Contact Pins: <b>CZ121/Au</b> Contact Sockets: <b>CZ121/Au</b> Insert Material: <b>Neoprene</b> Conductor Tails: <b>2xPolyrad x 0.5m, 37xspec 44x0.5m</b> O – Rings: <b>NI70</b>	Socket      Pin  <b>Ref: HRS 11-39</b>
Pin Current Rating: <b>4 way, 25 way, 39 way 2 Amps</b> Pin Voltage Rating: <b>2,000 V rms</b> Contact to Contact IR: <b>&gt;1,000 MOhms @ 1,000 V dc</b> Contact to Body IR: <b>&gt;1,000 MOhms @ 1,000 V dc</b> Mated Depth Rating: <b>2,440 MSW</b> Temperature Rating: <b>-20 ° C to +60 ° C</b> Conductor Tail Size: <b>4 x 1 0 AWG, 39 x 18 AWG</b> Solder Bucket Size: <b>4x3.0 mm dia, 39x2.0 mm dia</b>	Body: <b>316 Stainless Steel</b> Fix Ring: <b>Aluminium Silicon Bronze</b> Back Shell: <b>N/A</b> Contact Pins: <b>CZ121/Au</b> Contact Sockets: <b>CZ121/Au</b> Insert Material: <b>Neoprene</b> Conductor Tails: <b>Spec 44 x 0.75 m</b> O – Rings: <b>NI70</b>	Socket      Pin  <b>Ref: HRS 11-43</b>
Pin Current Rating: <b>2 AMPS</b> Pin Voltage Rating: <b>2,000 V rms</b> Contact to Contact IR: <b>&gt;1,000 MOhms @ 1,000 V dc</b> Contact to Body IR: <b>&gt;1,000 MOhms @ 1,000 V dc</b> Mated Depth Rating: <b>2,440 MSW</b> Temperature Rating: <b>-20 ° C to +60 ° C</b> Conductor Tail Size: <b>18 AWG</b> Solder Bucket Size: <b>2.5 mm dia</b>	Body: <b>316 Stainless Steel</b> Fix Ring: <b>Aluminium Silicon Bronze</b> Back Shell: <b>N/A</b> Contact Pins: <b>CZ121/Au</b> Contact Sockets: <b>CZ121/Au</b> Insert Material: <b>Neoprene</b> Conductor Tails: <b>Spec 44 x 0.75 m</b> O – Rings: <b>NI70</b>	Socket      Pin  <b>Ref: HRS 11-54</b>

# Underwater Mateable Electrical Connectors

## Rubber Keyed HRS (Hydro Bond Rubber Sealing) : Shell Size 11 / Specifications

Electrical and Environmental	Standard Material Specification	Face Views
Pin Current Rating: 2 AMPS Pin Voltage Rating: 2,000 V rms Contact to Contact IR: >1,000 MOhms @ 1,000 V dc Contact to Body IR: >1,000 MOhms @ 1,000 V dc Mated Depth Rating: 2,440 MSW Temperature Rating: -20 ° C to +60 ° C Conductor Tail Size: 18 AWG Solder Bucket Size: 2.5 mm dia	Body: 316 Stainless Steel Fix Ring: Aluminium Silicon Bronze Back Shell: N/A Contact Pins: CZ121/Au Contact Sockets: CZ121/Au Insert Material: Neoprene Conductor Tails: Spec 44 X 0.75 m O – Rings: NI70	Socket      Pin  <b>Ref: HRS 11-70</b>

### Custom Product Design

Not found what you are looking for ?

Our in house engineers design, develop, manufacture and test new products to customer specifications.

